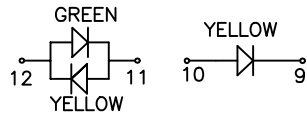
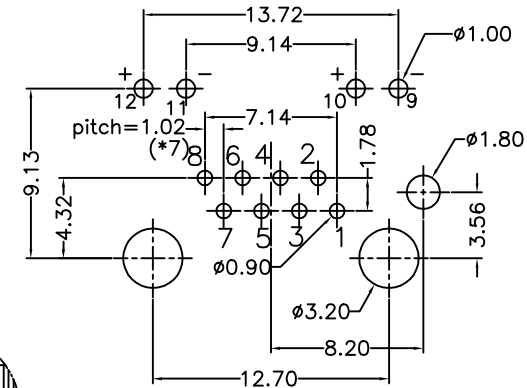
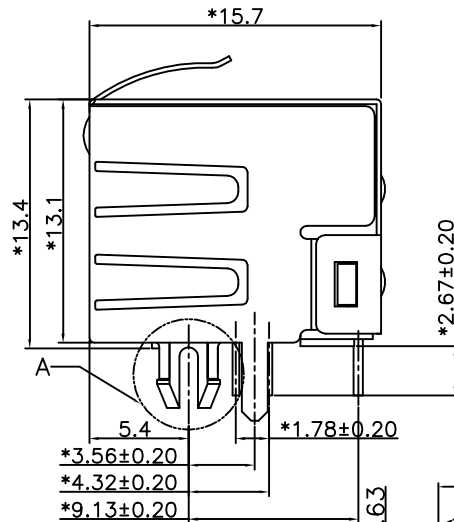
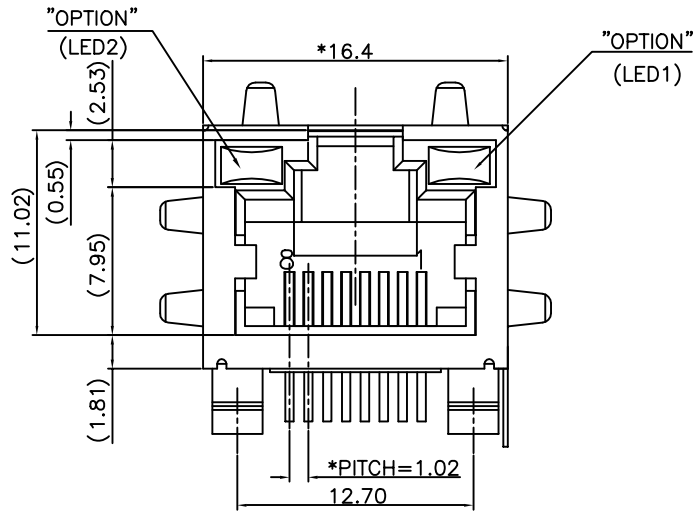
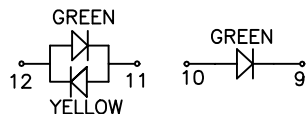


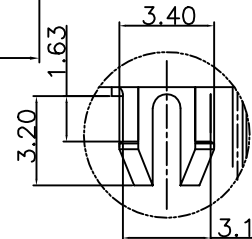
REVISION RECORD				
REV	ECO	DESCRIPTION	DRFT	CHKD



PART NUMBER: E5J88-JXLXVX-L



PART NUMBER: E5J88-KXLXVX-L



DETAIL "A"
SCALE 1.5:1

PC Board Layout (t=1.60mm)
Component Side Shown

NOTES:

ELECTRICAL:

- VOLTAGE RATING : 125 VAC RMS.
- CURRENT RATING : 1.5 AMP.
- CONTACT RESISTANCE : 30 MILLIOHMS MAX.
- INSULATION RESISTANCE: 1000 MEGOHMS MIN @ 500 VDC.
- DIELECTRIC STRENGTH : 1000 VAC RMS 60Hz, 1MIN.
- LED RATINGS: FORWARD VOLTAGE: 2.2 VOLTS TYPICAL.
REVERSE VOLTAGE: 5 VOLTS MINIMUM.
- OPERATING: 750 CYCLES MIN.

MECHANICAL:

- HOUSING MATERIAL : FR52 UL94V-0. COLOR-BLACK.
- INSERT MATERIAL : FR52 UL94V-0. COLOR-BLACK.
- BACK PLATE MATERIAL : FR52. COLOR-BLACK.
- LED SIZE : 3.2*2.0*7.0*P=2.54mm.
- SHIELD MATERIAL : COPPER ALLOY 0.25mm THICKNESS PLATING NI.
- CONTACT MATERIAL : PHOSPHOR BRONZE 0.35mm THICKNESS OR Ø0.46.
- PLATING : GOLD PLATING OVER NICKEL.
- PCB RETENTION PRE-SOLDER : 1 LB MIN.
- PCB RETENTION POST-SOLDER: 10 LBS MIN.

ENVIRONMENTAL:

- STORAGE : -40°C TO +85°C.
 - OPERATION: -40°C TO +85°C.
 - WAVE SOLDERING TEMPERATURE: 255~265°C(5~10 SECONDS)
- MATES WITH MODULAR PLUG CONFORMING TO
FCC PART 68, SUBPART F.
CUL FILE No:E163191

PART NUMBER: E 5 J 8 8 - X X L J V X-L

- 1-LED1:GREEN ,LED2:YELLOW
- 2-LED1:GREEN ,LED2:GREEN
- 3-LED1:YELLOW ,LED2:GREEN
- 5-LED1:RED ,LED2:GREEN
- 7-LED1:YELLOW ,LED2:YELLOW
- J-LED1:G+Y ,LED2:YELLOW.
- E-LED1:GREEN ,LED2:RED
- K-LED1:G+Y ,LED2:GREEN.

PLATING: 1-3u" 2-6u"
3-15u" 4-30u" 5-50u"
J-W/O LOGO FR52

- 1-NO TAB
- 2-TOP TABS.
- 3-SIDE TABS.
- 4-TOP TABS & SIDE TABS.

← MM (INCH) →		DFTO YANGLAN DATE 07/22/05	FULL RISE ELECTRONIC CO., LTD	
TOLERANCES EXCEPT AS NOTED		CHKD/MAK DATE2005/07/23		
MATERIAL :		MFO DATE	TITLE RJ45 SIDE ENTRY LED JACK	
ANGLES ±		APPV/LUSHENG DATE2005/07/23		
THIRD ANGLE PROJECTION		QTY :	DRAWING NO. GE5J3152-LA SIZE A3 REV 0	
		FINISH :		
		SCALE : 3:1	DO NOT SCALE DRAWING SHEET 1 OF 1	